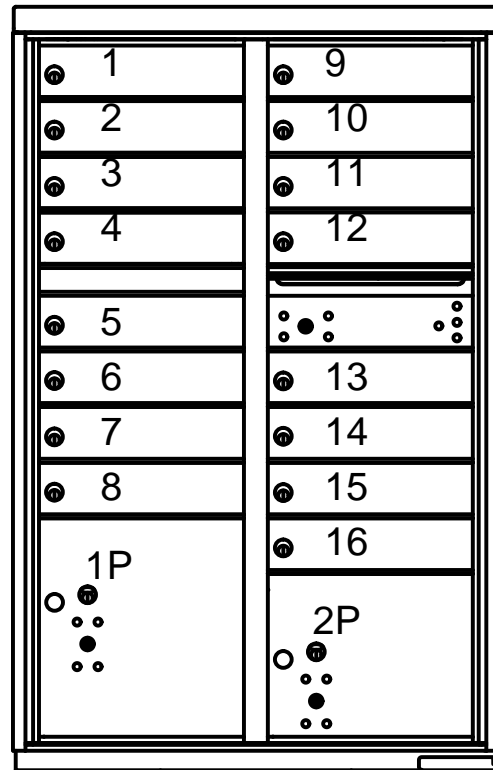
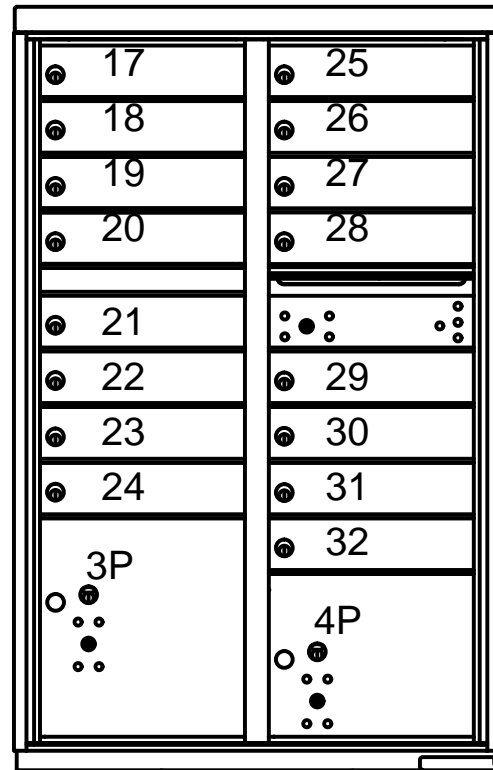




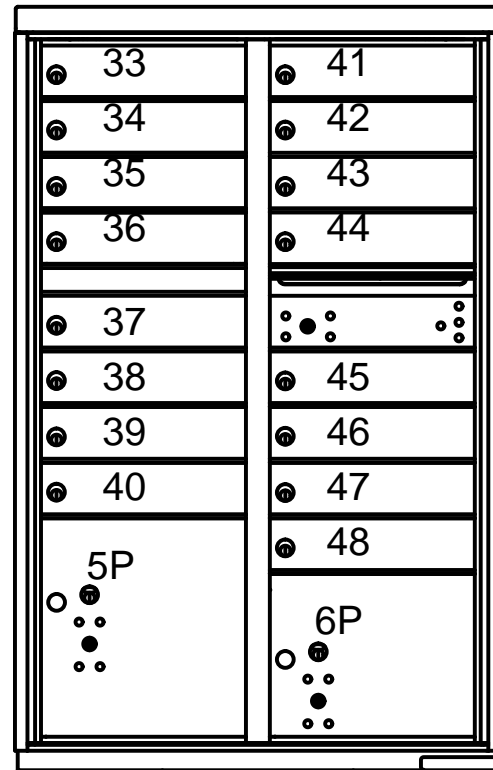
Overall w/ Recommended
Clearance:
11' 0-1/2"



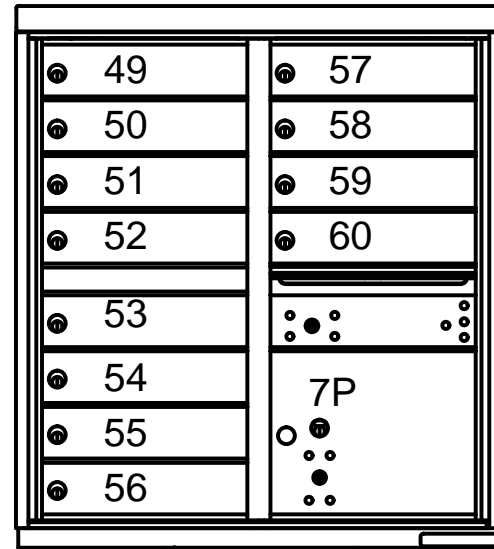
1570-16



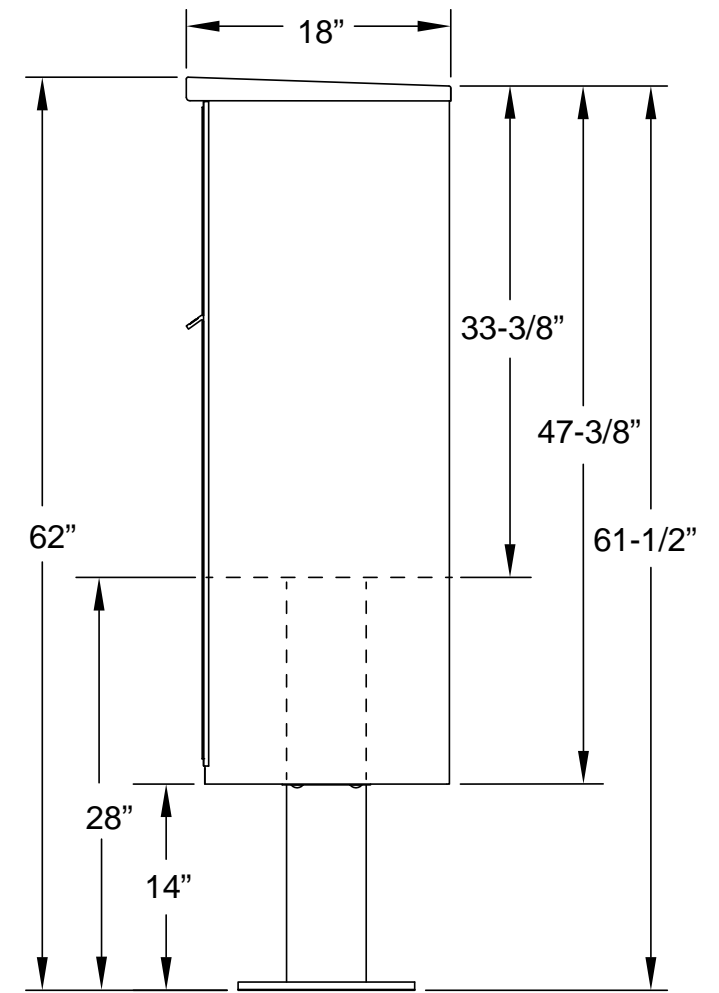
1570-16



1570-16



1570-12



Configuration Details:

- 1. **Product Type:** Cluster Box Units
 - 2. **Installation:** Mounted on a pedestal
 - 3. **Finish:** Black
 - 4. **Locks:** Standard Cam Lock, 3 keys
 - 5. **Door Id:** Decals
 - 6. **Master Door:** Prepared for USPS Master Lock
- Note:** Number placement on drawing does not represent the final position of the engraving/decals.

Models Used:

- (3) 1570-16
- (1) 1570-12

Door Sizes Used:

- (60) 3" H Tenant
- (3) 13-3/8" H Parcel
- (4) 9-7/8" H Parcel

DO NOT SCALE OFF DRAWING

ELEVATION: site 1 | **MAILBOXES:** 60 | **PARCELS:** 7

PROJECT NAME: v4twc

DRAWN BY:

FLORENCE
CORPORATION

5935 Corporate Drive • Manhattan, KS 66503
www.florencemailboxes.com • 800.275.1747

A GIBRALTAR INDUSTRIES COMPANY

DATE: 05-01-2023

P.O. NO:

SCALE: NONE

QUOTE NO:

DRAWING NO.
WEB-264423

SHEET 1 OF 1